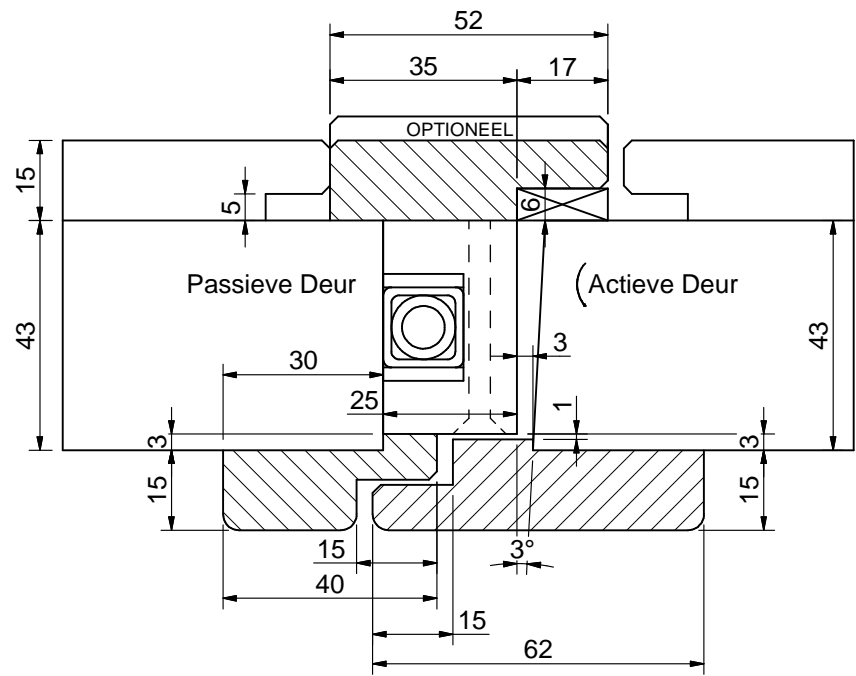


Threatment	Units	MM	Roughness	Unspecified tolerances	According NEN-ISO 1101
Aftertreatment	Not on scale bases	25	√ 3.2	Dim ± 0.2 Angle ± 0.5°	
Layer thickness	Reference	(25)			
Description: Detail MP Opbouw 43mm			Scale	Engineer: B. Pongers	Checked by:
				Date: 11-3-2014	Date:
			Revision	Artikel number:	
 HMB [®] profit locks & tools			Projection	Sheetsize	Drawing number
				A3	410.000015
<small>THIS DRAWING REMAINS PROPERTY OF HMB PROFIT LOCKS & TOOLS AND MAY NOT BE COPIED WITHOUT OUR WRITTEN CONSENT.</small>					



Aanslagzijde

Threatment	Units	MM	Roughness	Unspecified tolerances	According NEN-ISO 1101
Aftertreatment	Not on scale bases	25	√ 3.2	Dim ± 0.2 Angle ± 0.5°	
Layer thickness	Reference	(25)			
Description: Detail MP Opbouw 58mm			Scale	Engineer: B. Pongers	Checked by:
				Date: 11-3-2014	Date:
				Revision	Artikel number:
 HMB [®] profit locks & tools				Sheetsize	Drawing number
				A3	410.000015
<small>THIS DRAWING REMAINS PROPERTY OF HMB PROFIT LOCKS & TOOLS AND MAY NOT BE COPIED WITHOUT OUR WRITTEN CONSENT.</small>					

4

3

2

1

D

C

B

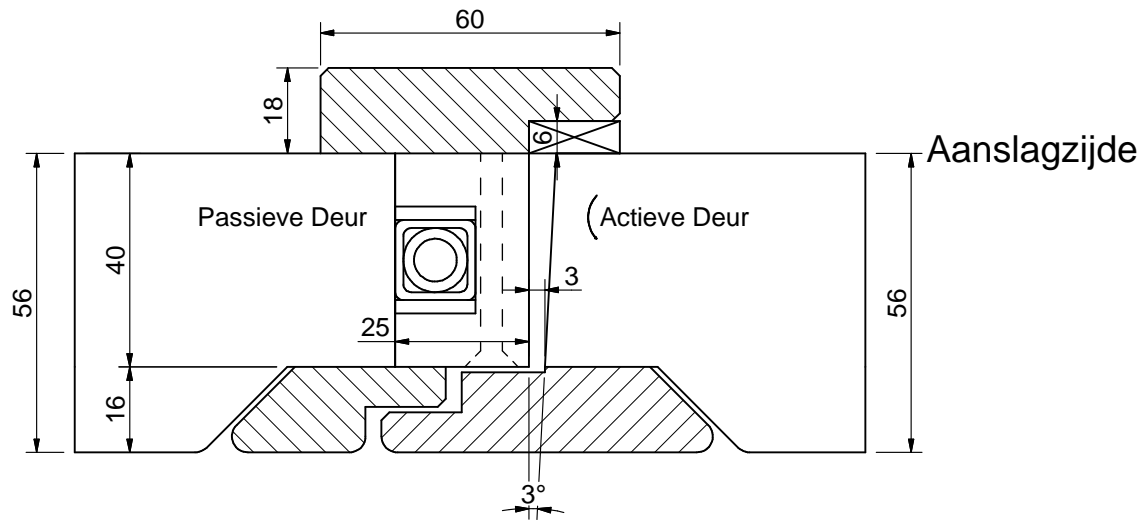
A

D

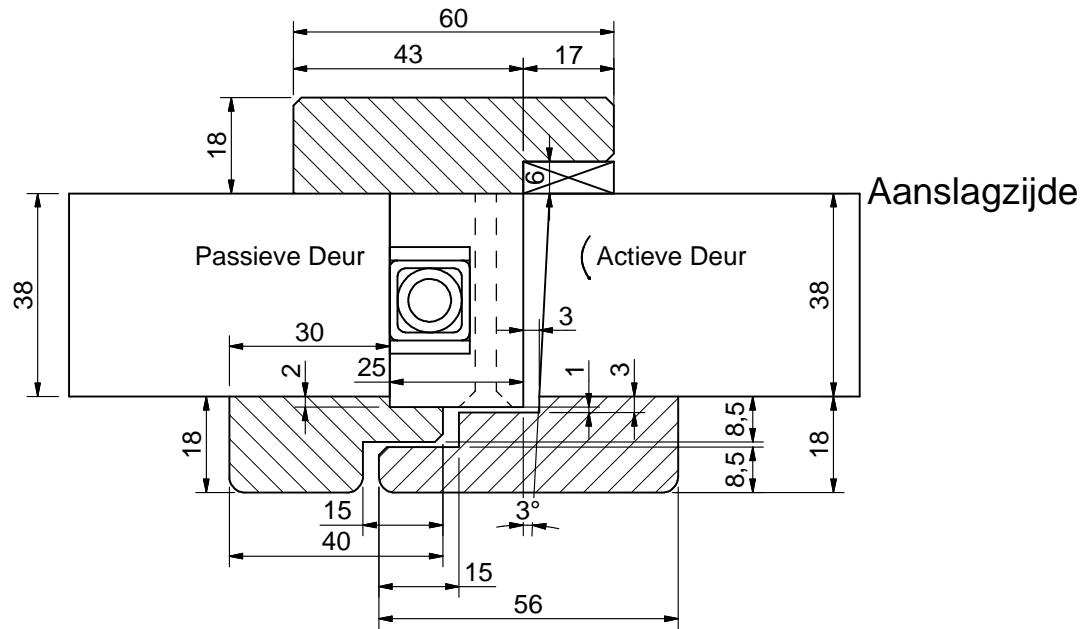
C

B

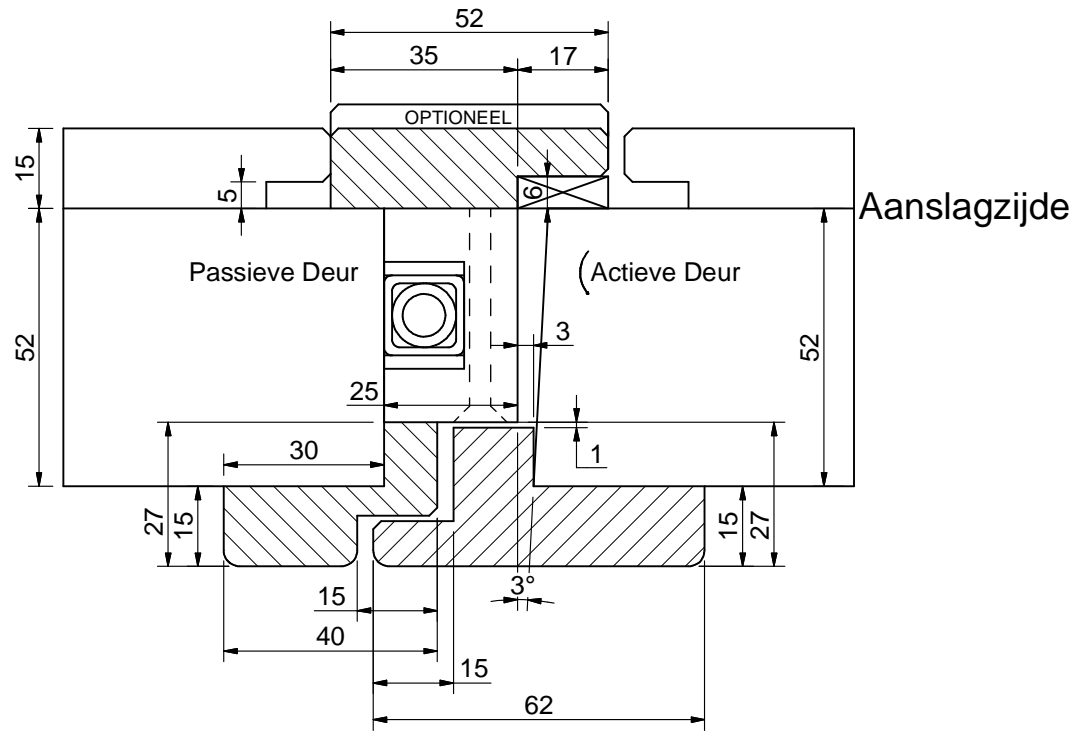
A



Threatment		Units	MM	Roughness	Unspecified tolerances	According NEN-ISO 1101
Afterthreatment		Not on scale bases	25	√ 3.2	Dim ± 0.2 Angle ± 0.5°	
Layer thickness		Reference	(25)			
Description: Detail MP Opbouw 56mm Voorloop				Scale	Engineer: B. Pongers	Checked by:
					Date: 11-3-2014	Date:
					Revision	Artikel number:
 HMB [®] profit locks & tools					Sheetsize	Drawing number
					A3	410.000015
<small>THIS DRAWING REMAINS PROPERTY OF HMB PROFIT LOCKS & TOOLS AND MAY NOT BE COPIED WITHOUT OUR WRITTEN CONSENT.</small>						



Threatment	Units	MM	Roughness	Unspecified tolerances	According NEN-ISO 1101
Aftertreatment	Not on scale bases	25	√ 3.2	Dim ± 0.2 Angle ± 0.5°	
Layer thickness	Reference	(25)			
Description: Detail MP Opbouw 38mm			Scale	Engineer: B. Pongers	Checked by:
				Date: 11-3-2014	Date:
				Revision	Artikel number:
 HMB [®] profit locks & tools			Projection	Sheetsize	Drawing number
				A3	410.000015
<small>POSTBUS 151 3400 AD IJSSSELSTEIN, HOLLAND TELEPHONE : 0031 - (0)30 - 6877940 FAX : 0031 - (0)30 - 6875688 E-MAIL : HMB@HMB.NU</small>					
<small>THIS DRAWING REMAINS PROPERTY OF HMB PROFIT LOCKS & TOOLS AND MAY NOT BE COPIED WITHOUT OUR WRITTEN CONSENT.</small>					



Threatment	Units	MM	Roughness	Unspecified tolerances	According NEN-ISO 1101
Aftertreatment	Not on scale bases	25	√ 3.2	Dim ± 0.2 Angle ± 0.5°	
Layer thickness	Reference	(25)			
Description: Detail MP Opbouw 67mm			Scale	Engineer: B. Pongers	Checked by:
				Date: 11-3-2014	Date:
				Revision	Artikel number:
 HMB [®] profit locks & tools			Projection	Sheetsize	Drawing number
				A3	410.000015
<small>THIS DRAWING REMAINS PROPERTY OF HMB PROFIT LOCKS & TOOLS AND MAY NOT BE COPIED WITHOUT OUR WRITTEN CONSENT.</small>					